



## Steca SI

612, 624, 648, 812, 824, 1212, 1224, 1248, 1624, 2324, 2348, 3324, 3548

The Steca SI series consist of "high end" pure sine wave inverters for AC voltage systems. All devices offer outstanding highly precise output voltages and frequencies. Their automatic standby mode considerably reduces the inverter's self consumption. The Steca SI inverters optional even allow to create a real 3-phased grid with 3 Steca SI units. This option is possible from the 1200 W type.

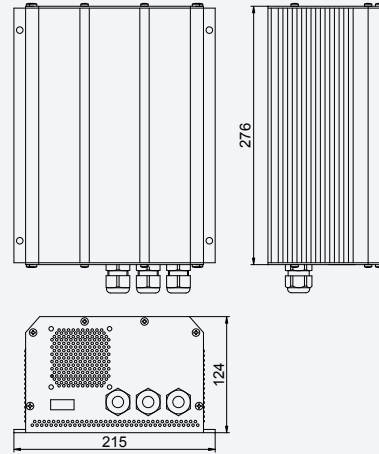
### Options

- Types with 115 V / 50 Hz, 115 V / 60 Hz or 230 V / 60 Hz
- 3-phase systems with special execution PE
- Terminal for connecting of a remote control (On / Off)
- Integrated potential free alarm contact (60 V / 0.5 A)
- Protection cover SI-IP 23 to enhance the protection class

### Features

- Nominal power range 600 – 3,500 W
- 3-phased 3,600 – 10,500 W
- Excellent overload capabilities
- Adjustable, automatic load detection
- Best reliability

### Technical data



### Power class

600 W - 3,500 W



### Electronic Protections

- Battery deep discharge protection
- Battery over voltage shut down
- Over temperature and over load protection
- Short circuit protection
- Reverse polarity protection by internal fuse

### Displays

- Operational status inverter by LEDs

Sine wave inverter SI	612	624	648	812	824	1212	1224	1248	1624	2324	2348	3324	3548
Nominal input voltage (V)	12	24	48	12	24	12	24	48	24	24	48	24	48
Input voltage range (V)	11.4 - 16	23.8 - 32	45.6 - 64	11.4 - 16	23.8 - 32	11.4 - 16	23.8 - 32	45.6 - 64	23.8 - 32	23.8 - 32	45.6 - 64	23.8 - 32	45.6 - 64
Output voltage	230 V~ +/-3 % (pure sine wave)												
Output frequency	50 Hz +/-0,01 %												
Continuous power (VA)	600			800		1,200	1,600	2,300	3,300	3,500			
Max. power 15 min. (VA)	950			1,250		1,900	2,500	3,600	5,200	5,600			
Max. power 5 sec. (VA)	2,100			2,800		4,200	5,600	8,000	11,500	12,000			
Maximum efficiency (%)	91			92		95	95	95	95	95			
Load detection (Stand-by)	0.3	0.5	0.5	0.3	0.5	0.3	0.5	0.5	0.6	0.8	0.6	1.4	
Consumption Stand-by (W)	adjustable: 0.3 - 20 W												
Cable length Battery / AC	165 cm / 140 cm												
Operating temperature	-20 °C to +50 °C												
Protection class	IP 20 / with optional top cover: IP 23												
Weight (kg)		6.9		10.4		13.2	15.2	27.0	30.0	38.0			
Dimensions (l) x 215 x 124 (mm)		206		276		391	391	591	636	791			

Technical data at 25 °C / 77 °F