



Steca HPC

2800-12, 4400-24,
6000-48, 8000-48

The technology of the HPC inverter series is based on Steca Compact devices. However, the four different types offer considerably greater power. What's more, Steca HPCs are equipped with PG screw fittings for strain relief and to protect all connections. The devices consist of a sine wave inverter, a battery charger, a transfer system and a voltage-free multifunctional contact. They are primarily used in hybrid systems. The integrated power sharing function ensures that the transfer system always provides the connected loads with the desired power.

Features

- Power range 2,800 - 8,000 W
- Adjustable battery charger included
- Excellent overload capabilities
- Adjustable, automatic load detection
- Usable as back-up or UPS
- Adjustable power sharing
- Best reliability

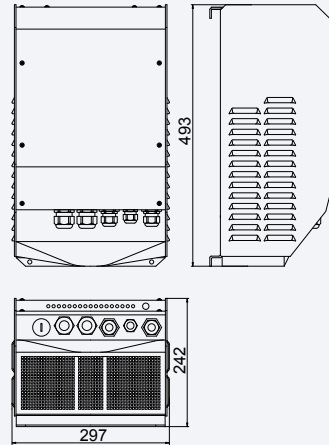
Protection functionality

- Battery deep discharge protection
- Battery over voltage shut down
- Over temperature and overload protection
- Short circuit protection
- Reverse polarity protection by internal fuse
- Acoustic warning before battery low or overheating disconnection

Displays

- Operational status inverter and state of charge by 17 LEDs
- Power monitor for topical power and charging current

Technical data



HPC 8000-48

Inverter-Charger HPC	2800-12	4400-24	6000-48	8000-48
Nominal input voltage (V)	12	24	48	48
Input voltage range (V)	9.5 - 17	19 - 34	38 - 68	38 - 68
Output voltage	230 V~ +0 / -10 % (pure sine wave)			
Output frequency	50 Hz +/-0.05 %			
Continuous power (VA)	2500	4000	5000	7000
Max. power 30 min. (VA)	2800	4400	6000	8000
Max. power 5 sec. (VA)	7500	12000	15000	21000
Max. efficiency (%)	93	94	96	96
Consumption stand-by (W)	1.8	2.0	2.5	3.0
Load detection (stand-by)	adjustable: 1 - 25 W			
Charging current, adjustable (A)	0 - 110	0 - 100	0 - 70	0 - 90
Input current balance adj. (A), power sharing	1 - 30			1 - 50
Min. input voltage	adjustable from 150 to 230 VAC			
Battery monitoring	LVD, HVD, floating and equalisation voltage adjustable by user			
Max. current / power on transfer system	30 A / 6.9 kVA		50 A / 11.5 kVA	
Switching time	< 20 ms			
Operating temperature	-20 °C to +55 °C			
Protection class	IP 20			
Weight (kg)	33	39	41	45
Dimensions (l) x 297 x 242 (mm)	480			493

Power class



Options

- Types with 230 V / 60 Hz
- Remote Control RCC-01
- Temperature sensor CT35 to correct the operation voltages according to the current battery temperature
- Remote control RPS-01 for the function power sharing